

ROLLS 2030L Wall Mirror - Specification Sheet



Features

- Dimmable LED task lighting
- Integrated touch sensor control with memory
- Energy efficient LED lighting 6000K
- 3200 Lumens
- CRI 90+
- Integrated Defogger

Construction

- Quality polished edge mirror
- Single phase wire installation
- 5 MM Silver Backed Copper Free
- Installation Either Surface Mount (Side Mirror Trim Panels included) or Recessed
- Includes installation hardware

Codes/Standards Applicable

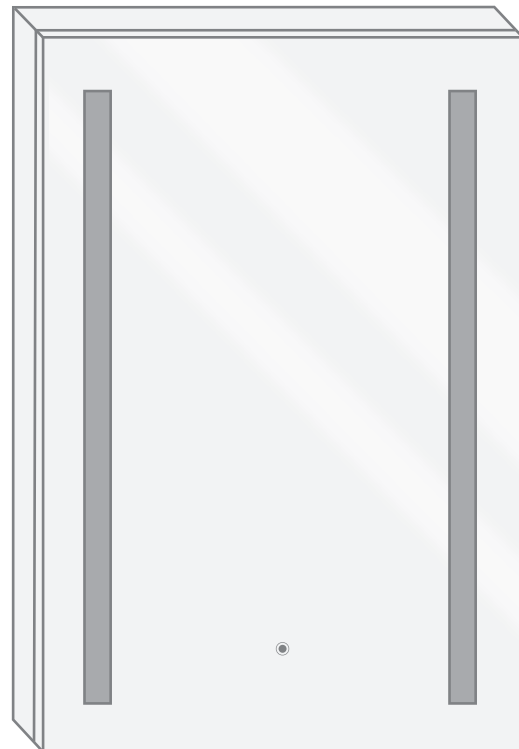
- Conforms to UL Std. 962
- Cert. to CSA Std. C22.2 No.250.0-08
- ETL Intertek 5004931

Electrical System

- 120Vac, 60Hz, 45.1W
- Electric Current: 0.41A
- Wattage: 45.1W

Model

- ROLLS 2030L Right Sliding Door
- Included models in this configuration:
Cabinet 1 = 2030L

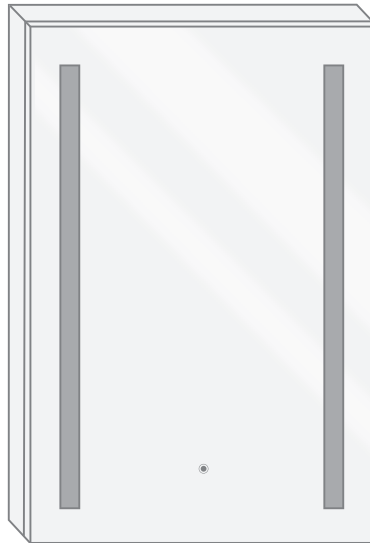


Outlet

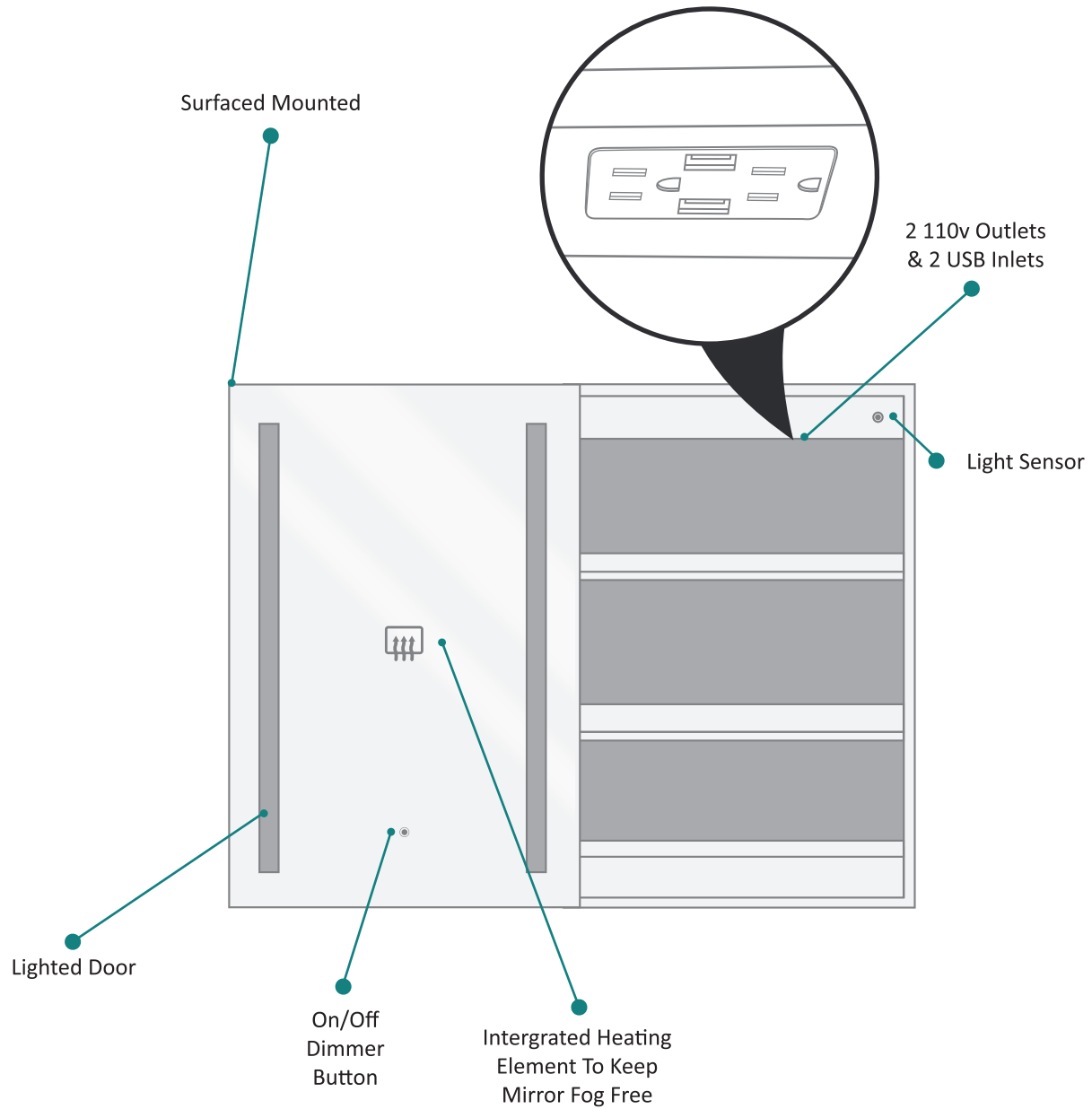
- Performance Requirements: Contains the required Supervisory Circuit with the Auto-Monitoring Function as noted by UL 1310
- Input Voltage: Min 112Vac, Nom 125Vac, Max 137Vac
- Frequency: 60Hz
- Front Receptacle Current: 102-132VAC Nominal 15A
- USB Output Current: 5VDC Nominal 4A

CABINET CONFIGURATION

- Included models in this configuration:
Cabinet 1 = 2030L

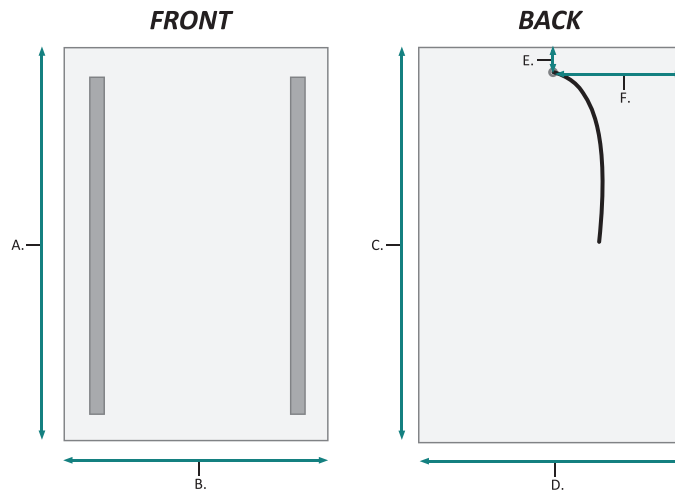
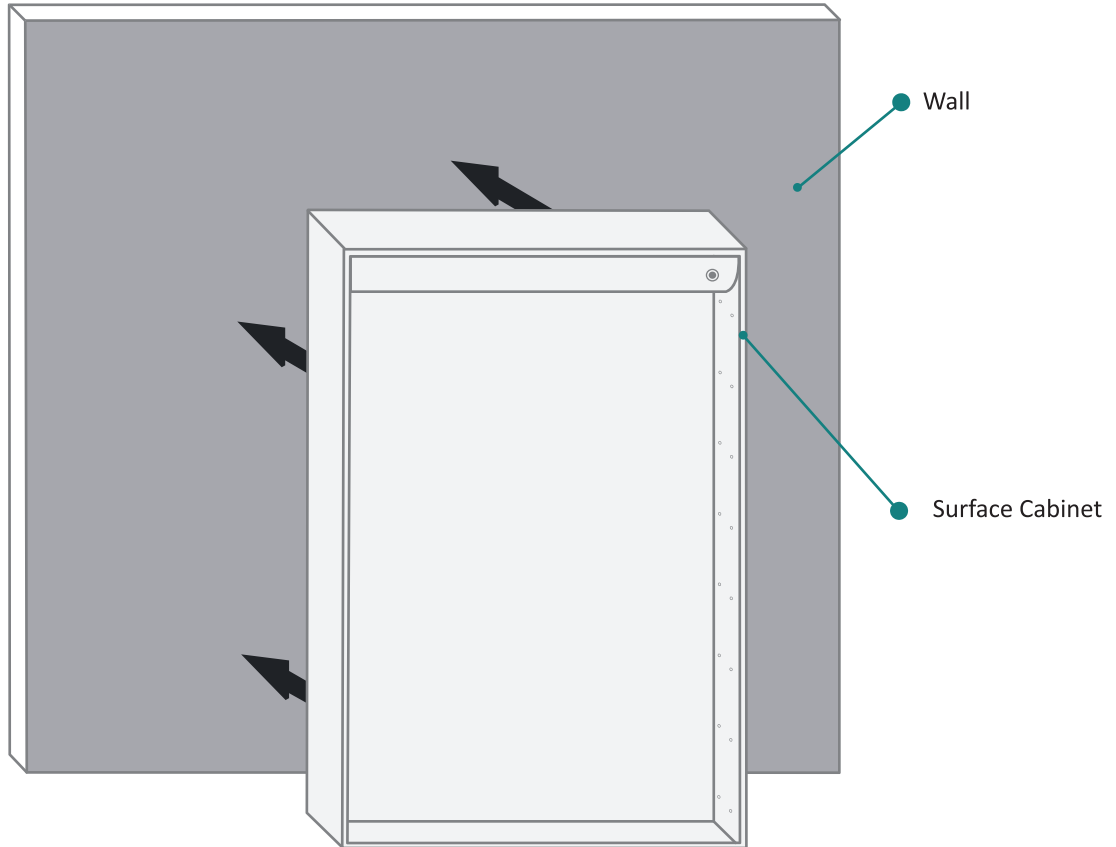


ROLLS 2030L Wall Mirror - Specification Sheet



ROLLS 2030L Wall Mirror - Specification Sheet

SURFACE MOUNT

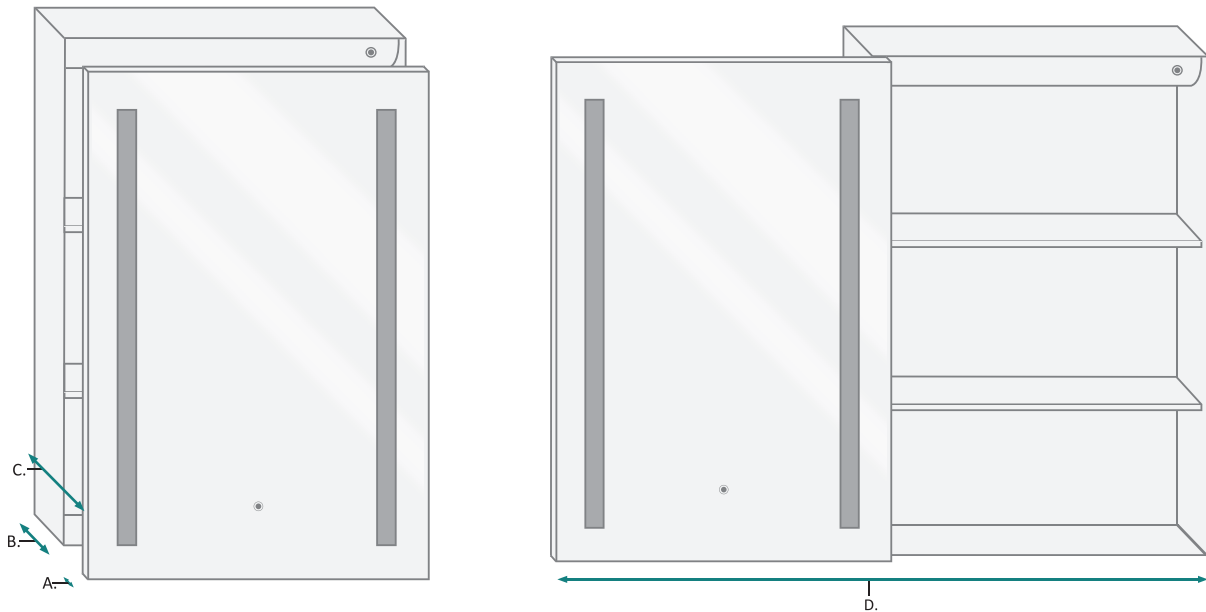


FRONT & BACK

MODEL	A	B	C	D	E	F
ROLLS2030L	30	20	30	20	1-1/8	10

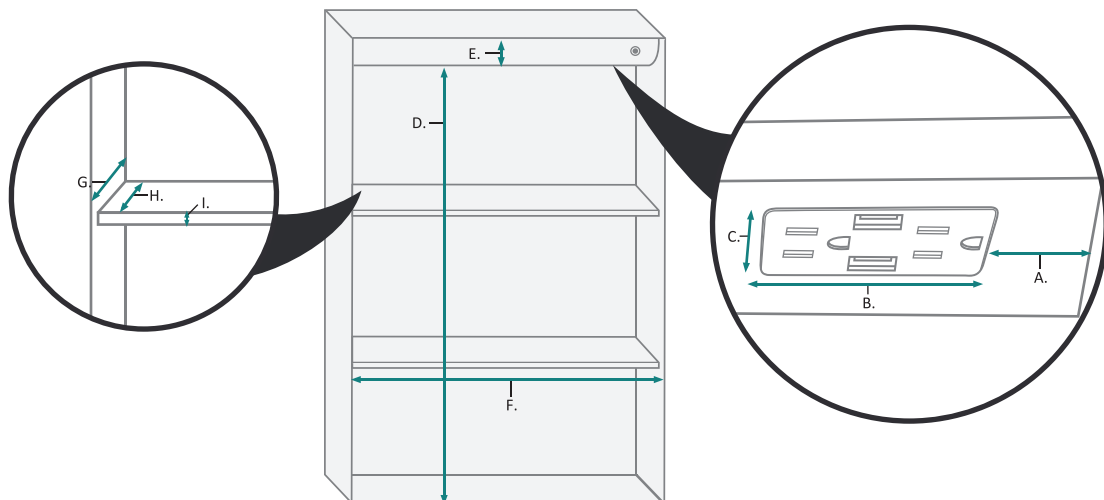
These measurements are for reference, for best results we suggest you measure actual product as small variations in size are possible

ROLLS2030L Wall Mirror - Specification Sheet



DOOR & CABINET

MODEL	A	B	C	D
ROLLS2030L	7/8	5	6-1/4	38-1/8



INTERIOR CABINET

MODEL	A	B	C	D	E	F	G	H	I
ROLLS2030L	3-3/4	5-5/8	1-1/4	25-1/2	2-1/4	19	4-1/2	4-1/8	3/8

These measurements are for reference, for best results we suggest you measure actual product as small variations in size are possible